

FLOOREQUIPMENTPARTS.COM



1200

**Portable Carpet Extractor
Extractor Portátil de Alfombras**

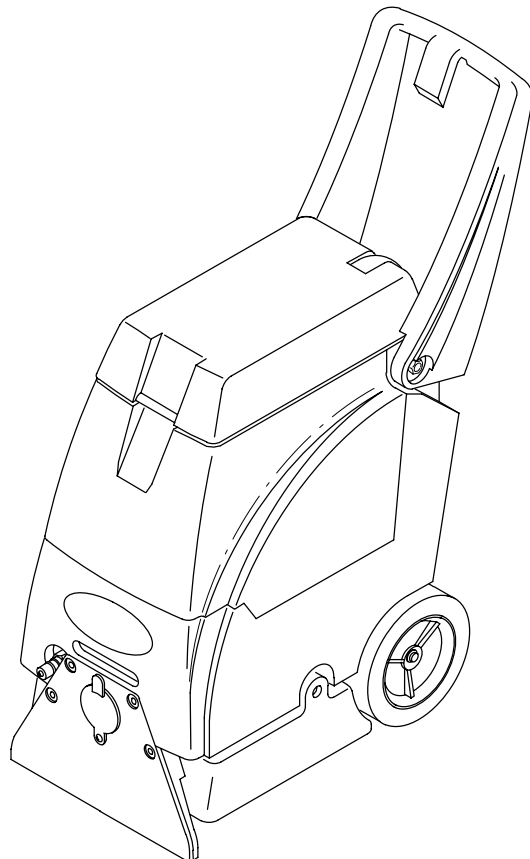
Model No.:

611460 – 120V

611464 – 120V Can.

611468 – 230V

**Operator and Parts Manual
Manual del Operador y Piezas**



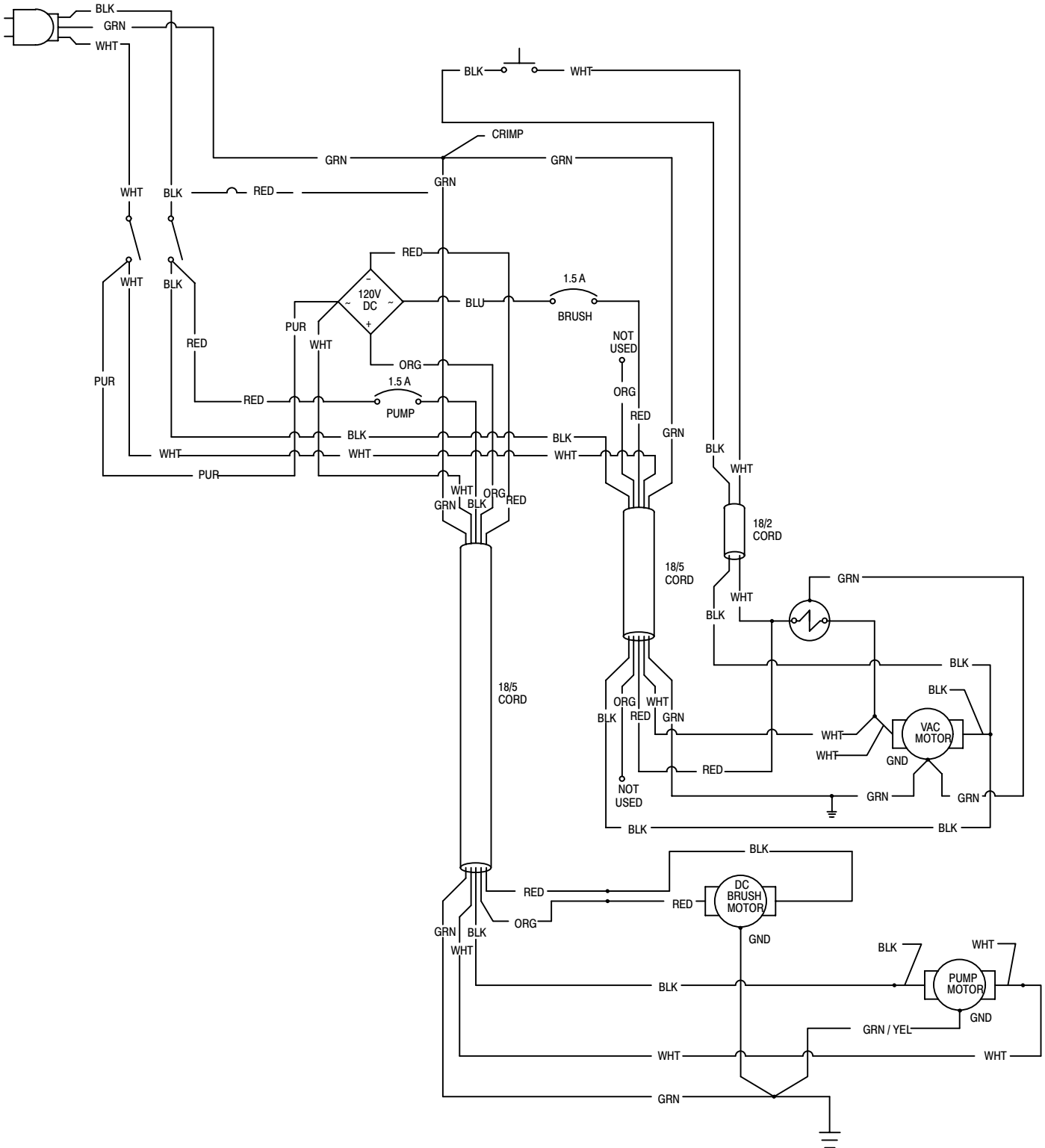
TENNANT COMPANY
Commercial Products
12875 RANSOM STREET
HOLLAND MI 49424 U.S.A.

FAX: 1-800-678-4240
CUSTOMER SERVICE: 1-800-982-7658

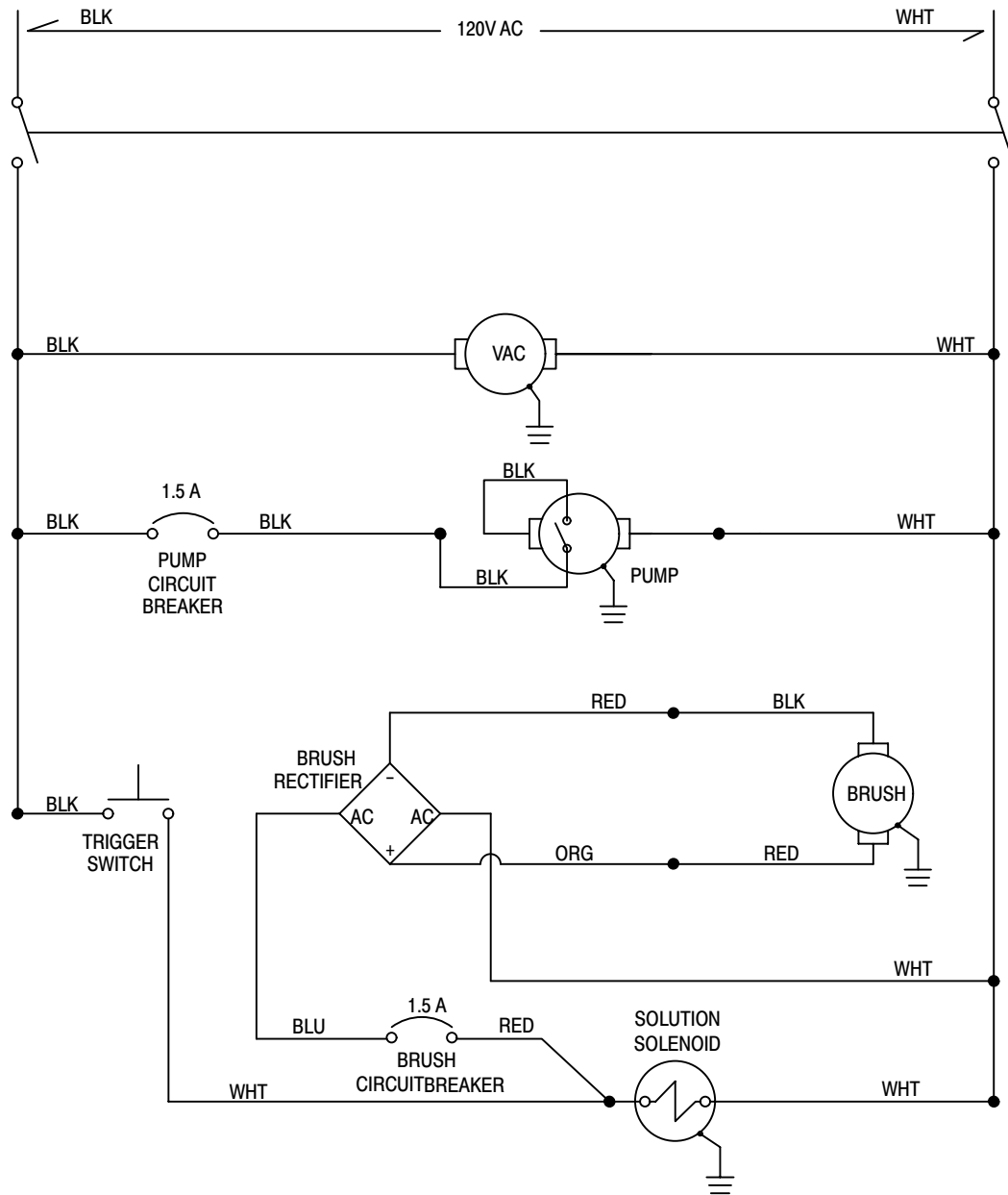
607302
Rev. 02 (01-01)

ELECTRICAL DIAGRAMS DIAGRAMAS ELECTRICAS

120V WIRING DIAGRAM DIAGRAMA DE CABLEADO

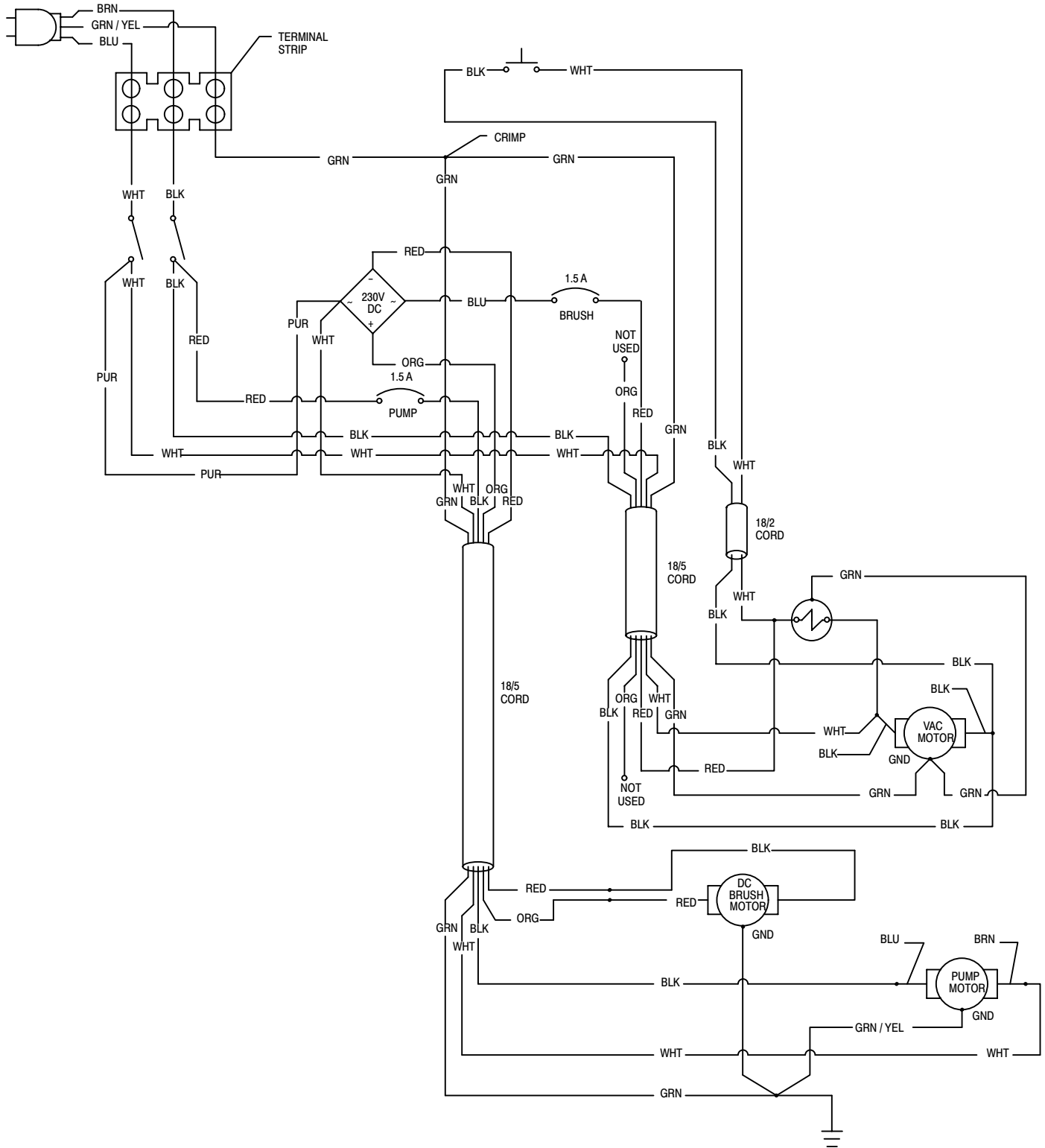


120V LADDER DIAGRAM
DIAGRAMA ESCALONADO

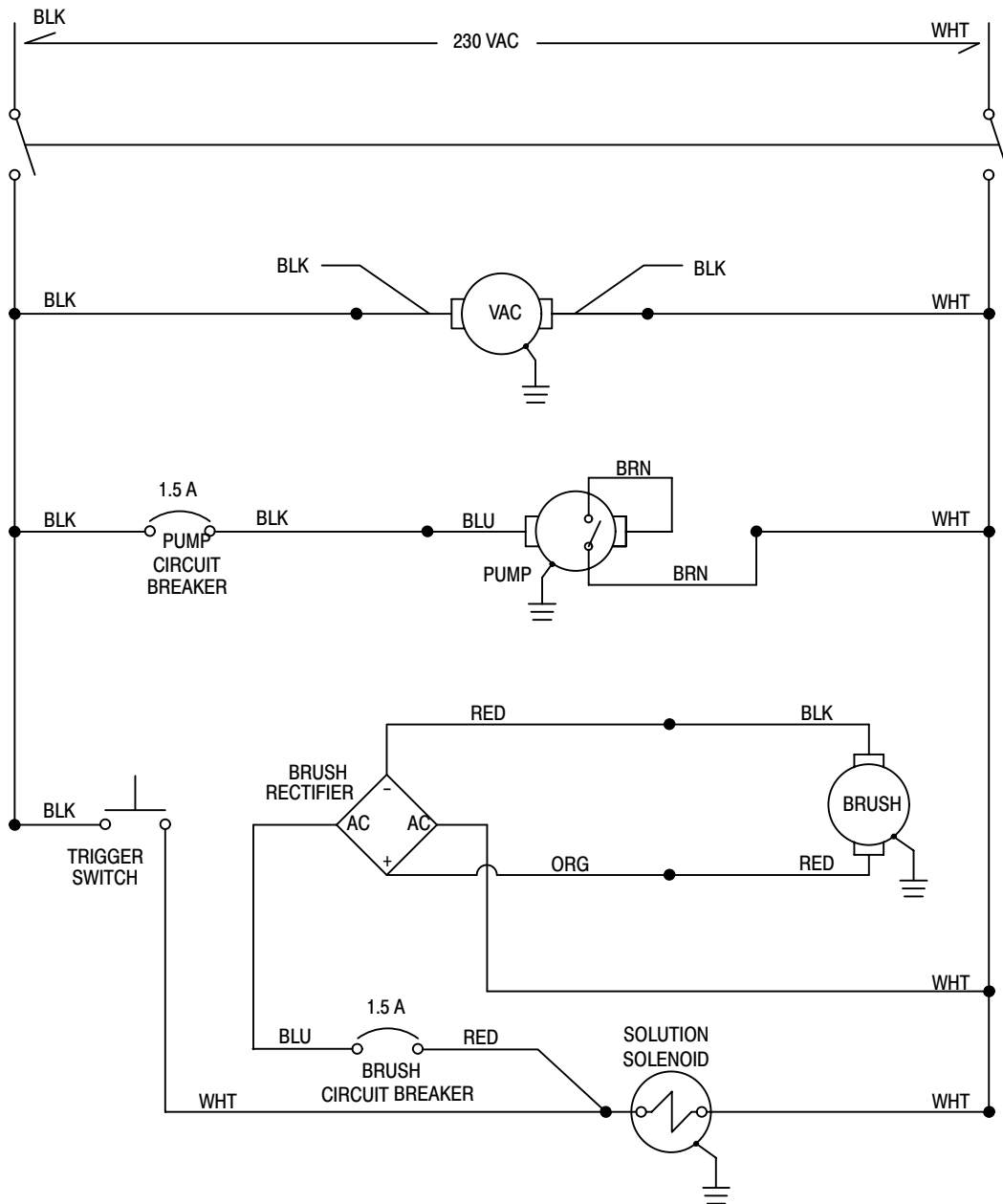


ELECTRICAL DIAGRAMS DIAGRAMAS ELECTRICAS

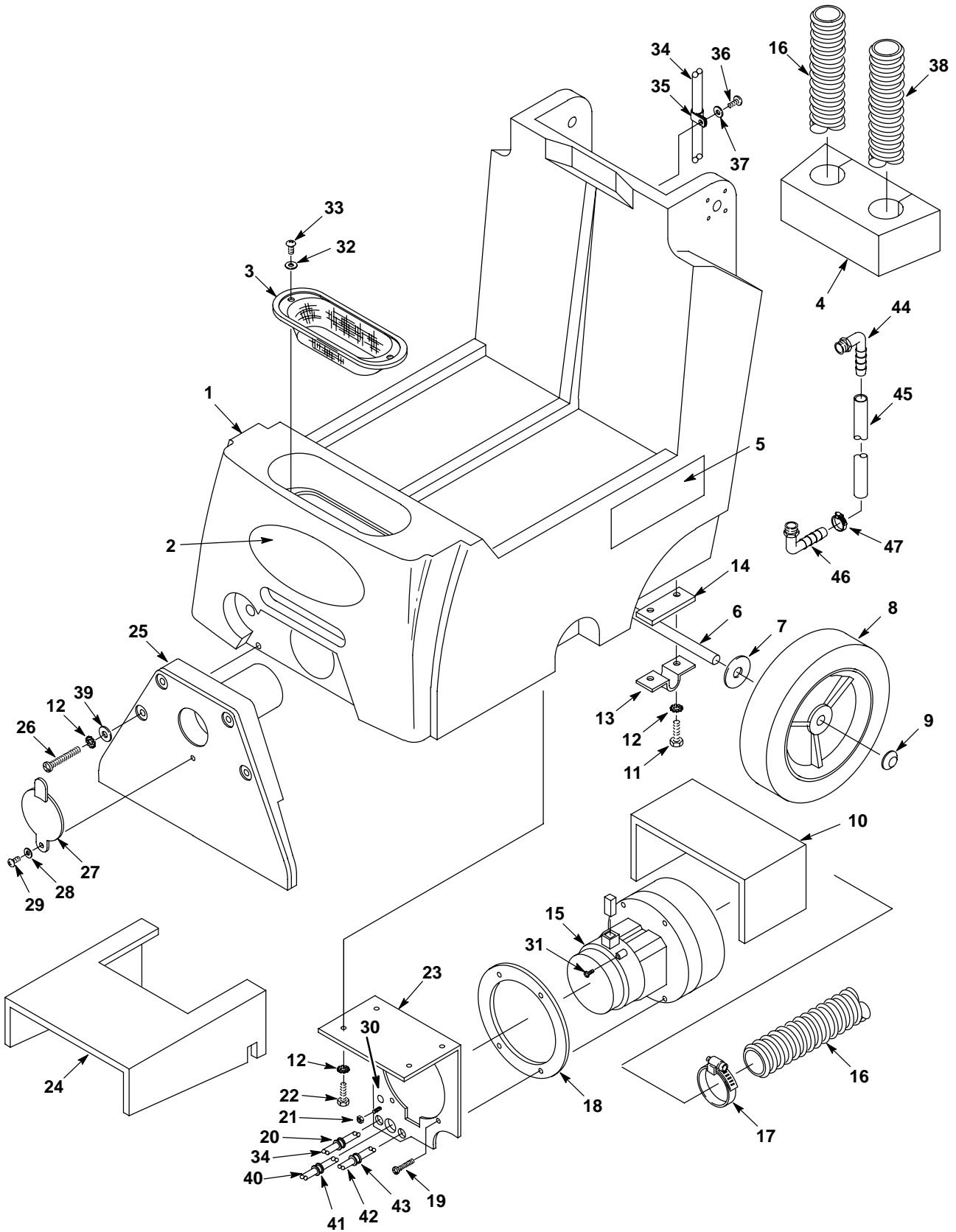
230V WIRING DIAGRAM DIAGRAMA DE CABLEADO



230V LADDER DIAGRAM
DIAGRAMA ESCALONADO



SOLUTION TANK GROUP
GRUPO DEL TANQUE DE SOLUCION



SOLUTION TANK GROUP
GRUPO DEL TANQUE DE SOLUCION

REF	PART #	DESCRIPTION	QTY.
1	608429	SOL TANK, TEAL	1
2	120192	DECAL, "TENNANT"	1
3	607298	●STRAINER, SCREEN	1
4	609063	FOAM, SOUND	1
5	609071	DECAL, "1200" SIDE	2
6	230739	AXLE, 1/2DIA X 13-1/8	1
7	140045	WASHER, 1/2 FLAT	2
8	607277	●WHEEL, 8"DIA GRAY	2
9	103019	CAP, HUB	2
10	607181	FOAM, SOUND	1
11	600385	SCREW, M6X1.0X20	4
12	140052	WASHER, 1/4 EXT	12
13	230746	BRACKET, AXLE OFFSET	2
14	609111	PLATE, SHIM	2
15	607179	●VAC, MOTOR 5.7 2S 120V	1
	190155	●BRUSH, CARBON 2/PK for 607179	2
	607281	●VAC, MOTOR 5.7 2S 230V	1
	190159	●BRUSH, CARBON 2/PK for 607281	2
16	607276	HOSE, VAC 1-1/2ID X 19"	1
17	140307	●CLAMP, HOSE	1
18	100143	●GASKET, VAC MOTOR	1
19	140340	SCREW, #10X5/8	4
20	14865	BUSHING	1
21	140297	NUT, M5X.8 HEX	1
22	608322	SCREW, M6X1.0X16	4
23	610997	PLATE, VAC MOTOR MTG	1

REF	PART #	DESCRIPTION	QTY.
24	609064	FOAM, SOUND	1
▽25	607170	●TOOL, PICK-UP 13" ASSEMBLY	1
▲26	608324	SCREW, M6X1.0X40	4
▲27	607183	SEAL, CAP	1
▲28	140011	WASHER, 3/16 FLAT	1
▲29	140801	SCREW, 8-32X3/8	1
30	578859	DECAL, GROUND	1
31	140897	SCREW, GROUND	1
32	140032	WASHER, #6 FLAT	2
33	140826	SCREW #6X3/4	2
34	611305	CORD, 18/2X66" BLACK	1
35	140324	CLAMP, CABLE 5/16ID	1
36	140340	SCREW, #10X5/8	1
37	140011	WASHER, 3/16 FLAT	1
38	607275	HOSE, VAC 1-1/2ID X 33"	1
39	140027	WASHER, 5/16 FLAT	4
40	611040	CORD, 18/5X41"	1
41	605395	BUSHING	1
42	611041	CORD, 18/5 X 54"	1
43	130698	BUSHING, SNAP	1
44	609112	FITTING, 1/4MX3/8H	1
45	608334	●HOSE, SIGHT-GAGE/DRAIN	1
46	150415	FITTING, 1/4MX3/8H	1
47	140301	●CLAMP, HOSE	1

▽ ASSEMBLY

▲ INCLUDED IN ASSEMBLY

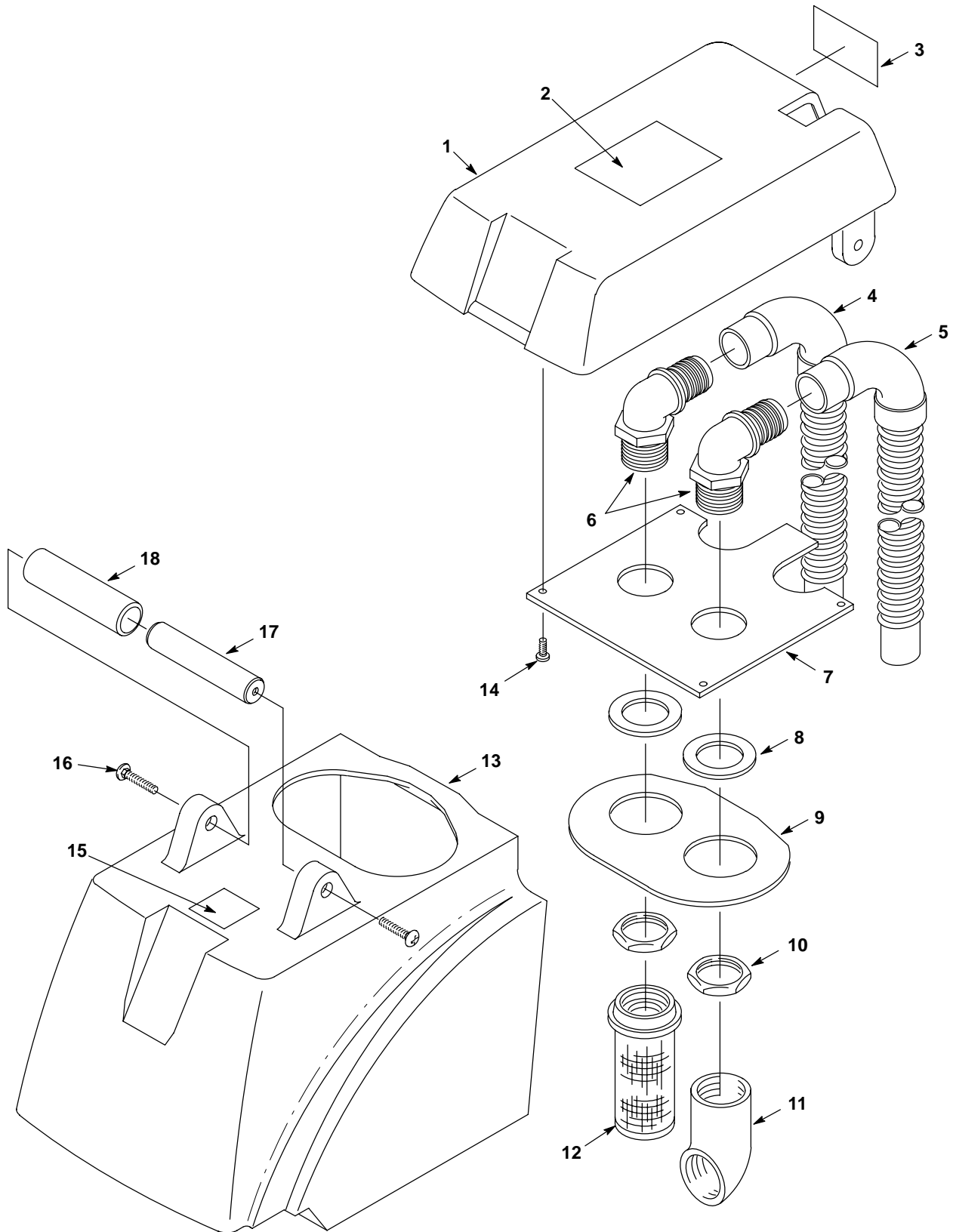
● RECOMMENDED STOCK ITEMS

▽ CONJUNTO

▲ INCLUIDO EN EL CONJUNTO

● ARTICULOS RECOMENDADOS PARA MANTENER EN EXISTENCIA

RECOVERY TANK GROUP
GRUPO DEL TANQUE DE RECUPERACION



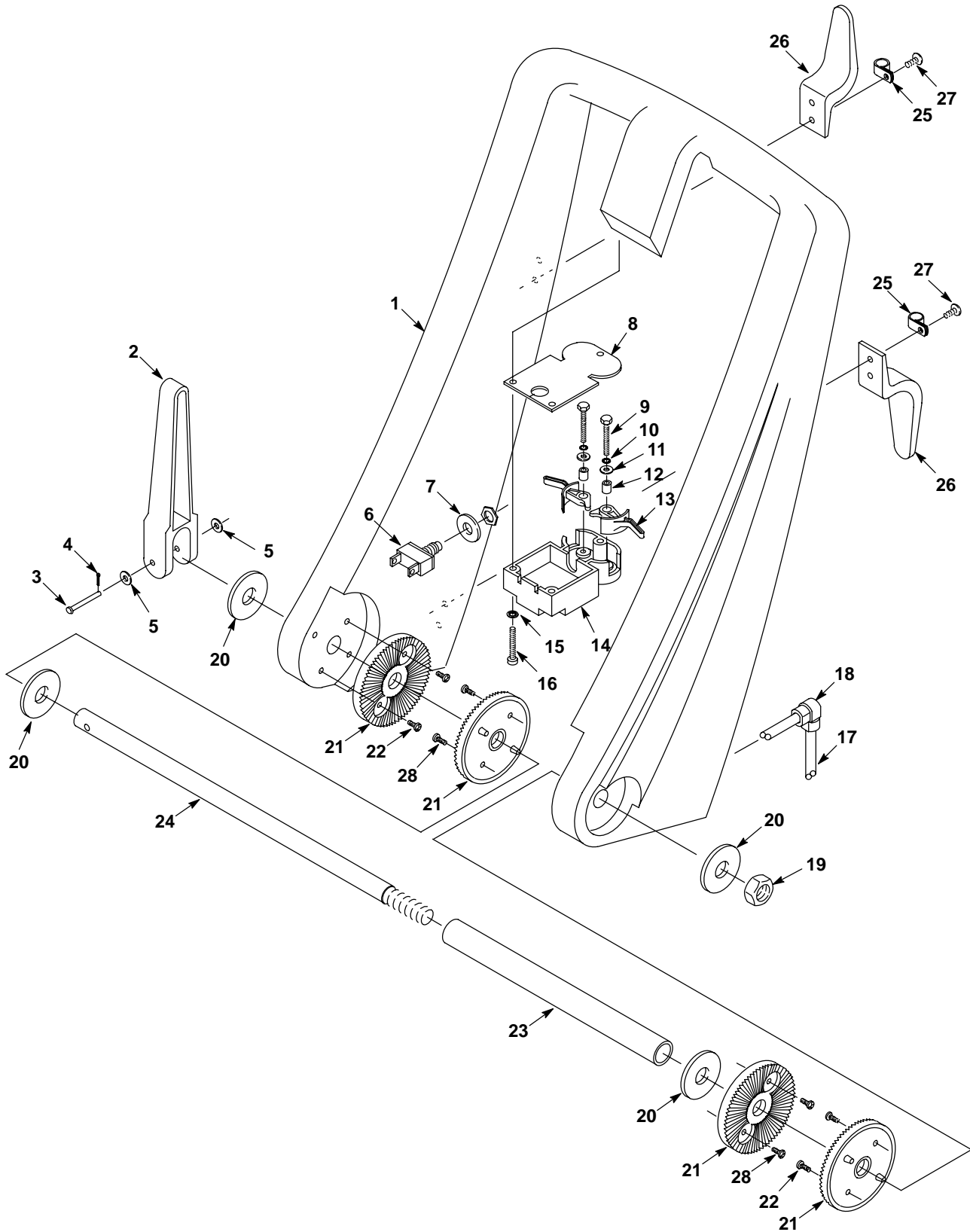
**RECOVERY TANK GROUP
GRUPO DEL TANQUE DE RECUPERACION**

REF	PART #	DESCRIPTION	QTY.
1	608439	COVER, TEAL	1
2	611042	DECAL, INSTRUCTIONS TXTLS	1
3	120619	DECAL, "WARNING-EXTRACTORS"	1
4	607276	●HOSE, VAC 1-1/2IDX19"	1
5	607275	●HOSE, VAC 1-1/2IDX33"	1
6	607297	FITTING, 1-1/2MX1-1/2H90	2
7	607172	COVER, PLATE	1
8	210234	●GASKET	2
9	607290	●GASKET, COVER PLATE	1

REF	PART #	DESCRIPTION	QTY.
10	210240	NUT, FLANGE	2
11	609065	FITTING, 1-1/2F 90PVC	1
12	609531	●FLOAT, SHUT-OFF (1)BALL	1
13	608434	REC TANK, TEAL	1
14	607006	SCREW M4X.7X12	4
15	630420	DECAL, "FLAMMABLE MATERIAL"	1
16	608324	SCREW, M6X1.0X40	2
17	607294	BAR	1
18	102569	●GRIP, FOAM	1

- RECOMMENDED STOCK ITEMS
- ARTICULOS RECOMENDADOS PARA MANTENER EN EXISTENCIA

HANDLE GROUP
GRUPO DEL MANGO



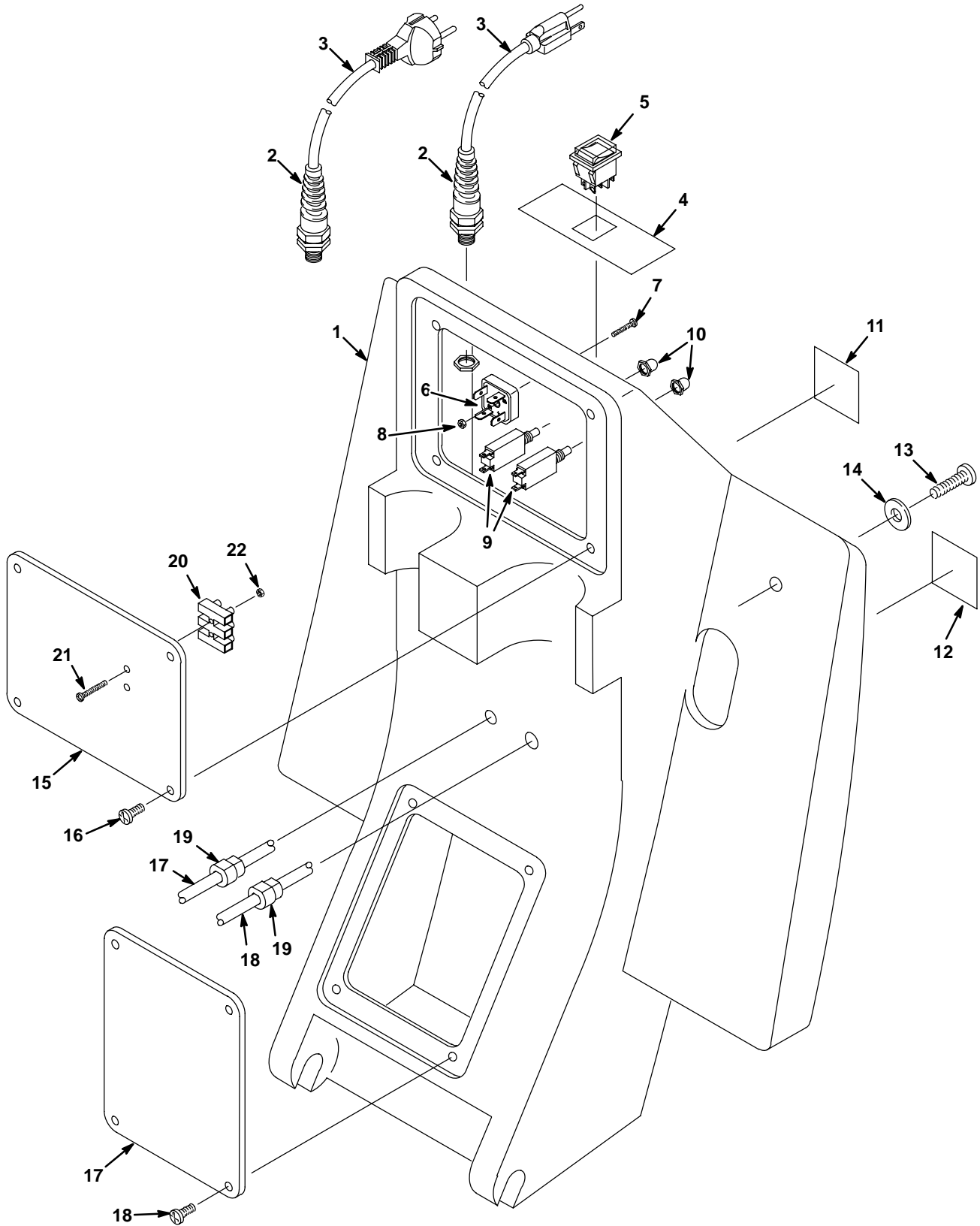
HANDLE GROUP
GRUPO DEL MANGO

REF	PART #	DESCRIPTION	QTY.
1	608444	HANDLE, TEAL	1
2	607315	●LEVER, CAMLOCK	1
3	607278	PIN, CLEVIS	1
4	140630	PIN, COTTER	1
5	140011	WASHER, 3/16 FLAT	2
6	130712	SWITCH, MOMENTARY PULSE	1
7	578430	WASHER, 1/2" FLAT	1
8	606349	GASKET, TRIGGER CONSOLE	1
9	069764190	SCREW, M3X.5X16	2
10	200662012	WASHER, M3 INT	2
11	578186000	WASHER, M4 FLAT	2
12	578082000	SPACER	2
13	578002000	ARM, TRIGGER	2
14	601429	CONSOLE, TRIGGER	1

REF	PART #	DESCRIPTION	QTY.
15	140023	WASHER, #8 INT	3
16	200070354	SCREW, M4X.7X30	3
17	611305	CORD, 18/2X66" BLACK	1
18	608323	BUSHING, STRAIN-RELIEF	1
19	200160019	NUT, M12	1
20	140045	WASHER, 1/2 FLAT	4
21	607175	●SERRATED PAD	4
22	609062	SCREW, M5X.8X12	4
23	608419	TUBE	1
24	607177	SHAFT	1
25	140324	CLAMP, CORD	2
26	230920.BK	HOOK, CORD	2
27	607006	SCREW, M4X.7X12	4
28	608322	SCREW, M6X1.0X16	4

- RECOMMENDED STOCK ITEMS
- ARTICULOS RECOMENDADOS PARA MANTENER EN EXISTENCIA

REAR PANEL GROUP
GRUPO DEL PANEL POSTERIOR



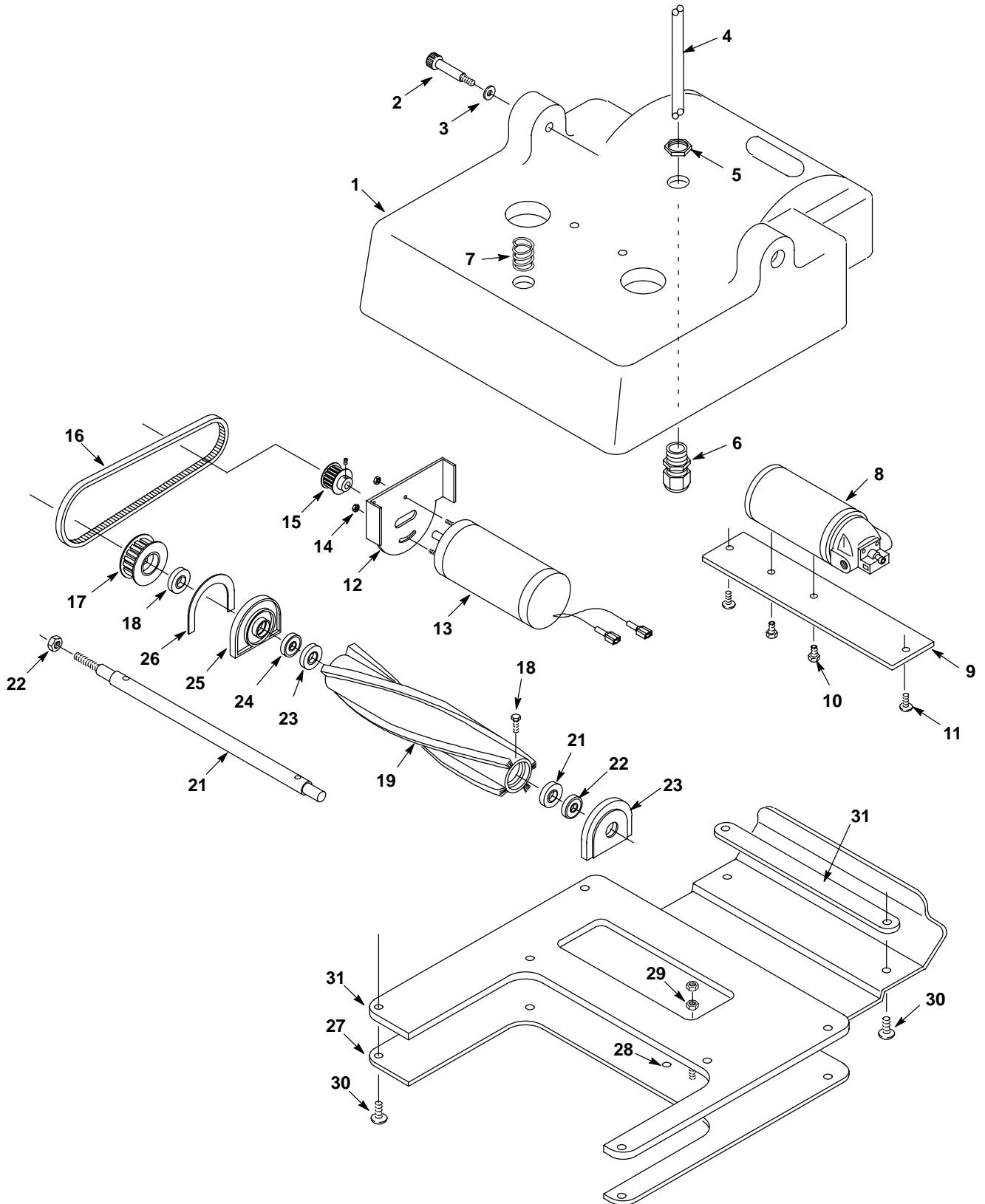
**REAR PANEL GROUP
GRUPO DEL PANEL POSTERIOR**

REF	PART #	DESCRIPTION	QTY.
1	611335	PANEL, REAR RM-BLACK	1
2	130166	●GRIP, STRAIN-RELIEF W/NUT	1
3	130222	●CORD, 16/3X25' YELLOW 120V	1
	600324	●CORD, 3X1.5MM 2X15M BLK 230V	1
4	611044	DECAL, "SWITCHES"	1
5	602670	●SWITCH, ROCKER	1
6	130304	●RECTIFIER, BRIDGE 600V 15AMP	1
7	140335	SCREW, 10-24X1	1
8	140336	NUT, 10-24	1
9	578337000	●BREAKER, CIRCUIT 1.5A	2
10	578734	●SPLASHGUARD, CRCT BREAKER	2
11	578729	DECAL, READ MANUAL	1

REF	PART #	DESCRIPTION	QTY.
12	630420	DECAL, FLAMMABLE MATERIAL	1
13	600385	SCREW, M6X1.0X20	2
14	140027	WASHER, 5/16 FLAT	2
15	608420	COVER, PLATE	2
16	607006	SCREW, M4X.7X12	8
17	611040	CORD, 18/5X41" BLACK	1
18	611041	CORD, 18/5X54" BLACK	1
19	605395	BUSHING, STRAIN-RELIEF	2
20	130005	STRIP, TERMINAL (230V MODEL)	1
21	140879	SCREW, 6-32X3/4 (230V MODEL)	2
22	140534	NUT, 3-32 (230V MODEL)	2

- RECOMMENDED STOCK ITEMS
- ARTICULOS RECOMENDADOS PARA MANTENER EN EXISTENCIA

BRUSH GROUP
GRUPO DEL CEPILLO



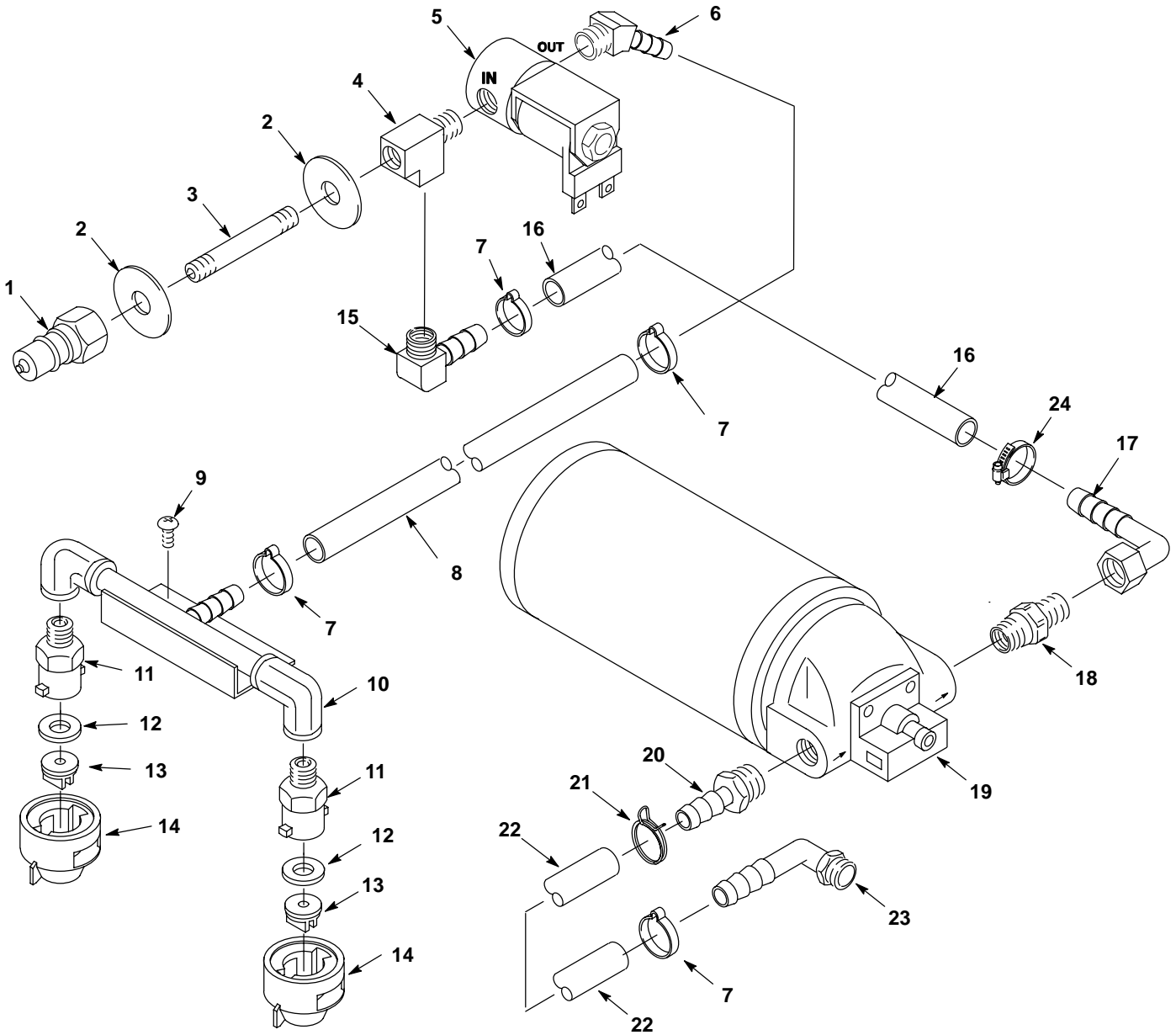
BRUSH GROUP
GRUPO DEL CEPILLO

REF	PART #	DESCRIPTION	QTY.
1	610995	BASE, BRUSH RM-BLACK	1
2	200017494	SCREW, M8X30	2
3	140027	WASHER, 5/16 FLT	2
4	611041	CORD, 18/5X54" BLACK	1
5	140638	NUT, BUSHING STRAIN-RELIEF	1
6	130181	BUSHING, STRAIN-RELIEF	1
7	611039	SPRING, COMPRESSION	1
8	606778	●PUMP, SOLUTION 60PSI 120V	1
	611045	●PUMP, SOLUTION 60PSI 230V	1
9	610958	PLATE, PUMP MTG	1
10	140751	SCREW, 10-32	2
11	607006	SCREW, M4 X .7 X 12	2
12	230366	PLATE, BRUSH MOTOR MOUNT	1
13	130471	●BRUSH MOTOR, 120VDC	1
	130472	●BRUSH MOTOR, 230VDC	1
14	140518	NUT, 10-32 KEP SS	2
15	230506	●PULLEY	1

REF	PART #	DESCRIPTION	QTY.
16	230507	●BELT, BRUSH DRIVE	1
17	230505	●PULLEY, BRUSH DRIVE	1
18	230363	SPACER	1
19	607176	●BRUSH, 13"	1
20	140554	SCREW, 1/4-20X3/4	4
21	230275	SHAFT, BRUSH 13"	1
22	140548	NUT, 5/16 FINJAM	1
23	100049	●SEAL, BRUSH BEARING	2
24	140125	●BEARING, BRUSH	2
25	230261	●BLOCK, BEARING	2
26	100005	●GASKET, BEARING BLOCK	1
27	610986	PLATE, BRUSH BASE	1
28	578859	DECAL, GROUND	1
29	140297	NUT, M5X.8	2
30	609062	SCREW, M5X.8X12	8
31	610987	GASKET, BRUSH BASE	1

- RECOMMENDED STOCK ITEMS
- ARTICULOS RECOMENDADOS PARA MANTENER EN EXISTENCIA

SOLUTION GROUP
GRUPO DE SOLUCION



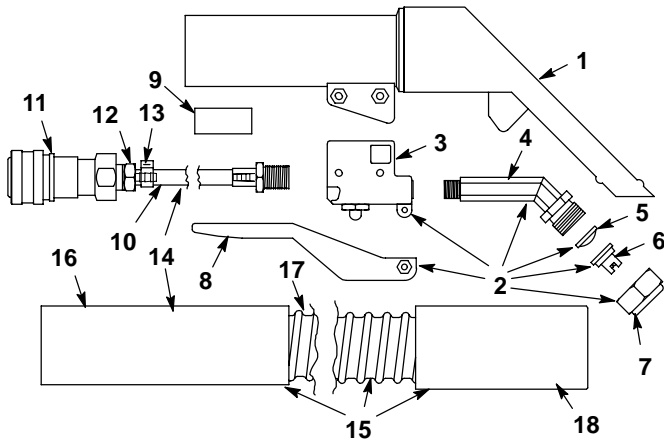
SOLUTION GROUP
GRUPO DE SOLUCION

REF	PART #	DESCRIPTION	QTY.
1	150933	FITTING, 1/4F QD SER60	1
2	140008	WASHER, 9/16 FLAT	2
3	150618	FITTING, 1/4MX3"	1
4	150709	FITTING, 1/4MX1/4FX1/4F	1
5	210033	●VALVE, SOLENOID 120V 60 HZ	1
	210036	●VALVE, SOLENOID 230V 50 HZ	1
6	605394	FITTING, 1/4MX3/8H 45 ELBOW	1
7	140301	●CLAMP, HOSE	5
8	609434	HOSE, 3/8IDX5/8ODX10.5"	1
9	604930	SCREW, M5X.8X10	2
10	608421	TUBE, NOZZLE	1
11	575281000	●BODY, QUICK-JET	2
12	575276000	●GASKET, QUICK-JET	2

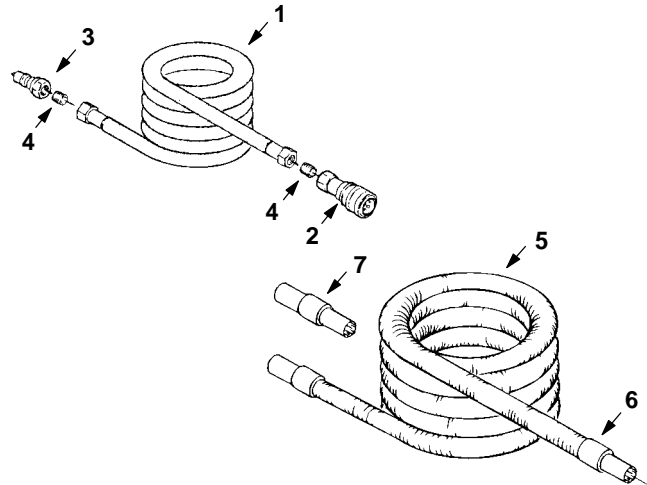
REF	PART #	DESCRIPTION	QTY.
13	200964	●FITTING, TIP 11003	2
14	575282000	●CAP, QUICK-JET	2
15	150419	FITTING, 1/4MX3/8H	1
16	606163	HOSE, 3/8IDX5/8ODX19"	1
17	611010	FITTING, 1/2F SWIVEL	1
18	611009	FITTING, 3/8MX1/2M	1
19	606778	●PUMP, SOLUTION 60PSI 120VDC	1
	611045	●PUMP, SOLUTION 60PSI 230VDC	1
20	150538	FITTING, 3/8MX3/8H	1
21	607775	CLAMP	1
22	606163	HOSE, 3/8IDX5/8ODX18"	1
23	150415	FITTING, 1/4MX3/8H	1
24	140310	CLAMP, HOSE	1

- RECOMMENDED STOCK ITEMS
- ARTICULOS RECOMENDADOS PARA MANTENER EN EXISTENCIA

**HAND TOOL
HERRAMIENTA MANUAL**



**FLOOR TOOL SOLUTION AND VACUUM HOSES
MANGUERAS DE SOLUCION Y ASPIRACION DE LA
HERRAMIENTA PARA PISOS**



REF	PART #	DESCRIPTION	QTY.
	701403	TOOL, HAND WITH HOSE	1
1	608901	TOOL, HAND W/ TRIGGER ASM.	1
	608891	TOOL, HAND	1
	∇2	608899	ASM., TRIGGER
▲3	608894	BODY, VALVE	1
▲4	608895	NOZZLE, SPRAY	1
▲5	608900	SCREEN	1
▲6	608896	TIP, SPRAY	1
▲7	608897	CAP	1
▲8	608898	TRIGGER	1
9	608892	SEAL, SOLUTION HOSE	1
10	560499	HOSE, SOLUTION	1
11	150913	PLUG, QCK. COUPLER – SER. 60	1
12	150514	HOSE BARB, 1/4M X 1/8H – BRASS	1
13	140349	CLAMP	1
14	–	ASM., HOSE VACUUM/SOLUTION	1
∇15	608905	ASM., VACUUM HOSE	1
▲16	609428	CUFF, HOSE 1.5 X 5.25	1
▲17	608903	HOSE, VACUUM 1.5	1
▲18	609440	CUFF, HOSE 1.5 X 3.5	1
	220040	BAG (NOT SHOWN)	1

REF	PART #	DESCRIPTION	QTY.
∇1	160185	HOSE, SOLUTION 15'	1
	160186	HOSE, SOLUTION 25'	1
▲2	150913	COUPLER, QUICK SER. 60	1
▲3	150933	PLUG, QUICK COUPLER	1
▲4	150615	NIPPLE	2
∇5	160400	HOSE, VACUUM 15' W/ CUFFS	1
	160401	HOSE, VACUUM 25' W/ CUFFS	1
▲6	160430	CUFF, HOSE 1–1/2"	2
7	160451	CONNECTOR, VACUUM HOSE 1–1/2"	1

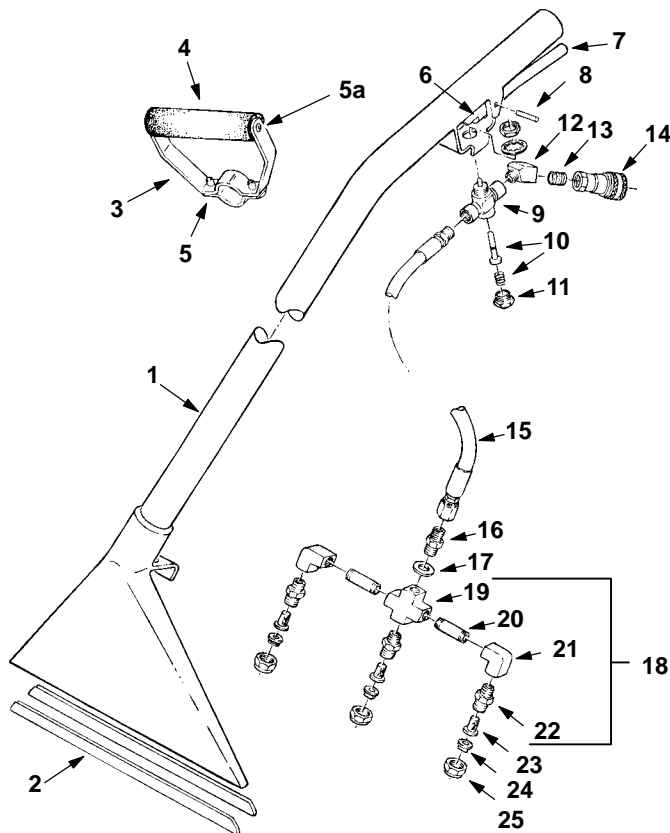
∇ ASSEMBLY

▲ INCLUDED IN ASSEMBLY

∇ CONJUNTO

▲ INCLUIDO EN EL CONJUNTO

FLOOR TOOL
HERRAMIENTA PARA PISOS



REF	PART #	DESCRIPTION	QTY.
	600048	FLOOR TOOL (COMPLETE)	1
1	200403.BK	TOOL, FLOOR	1
2	200939	SHOES, S/S, FLOOR TOOL	2
∇3	200927	GRIP, ADJUSTABLE (COMPLETE)	1
▲4	200912	FOAM, GRIP	1
▲5	140259	SCREW, 1/4-20X5/8	2
▲5a	140834	SCREW, 1/4-20x3/4	2
6	200902	TRIGGER, FLOOR TOOL	1
7	200809	SLEEVE, TRIGGER	1
8	140605	PIN	1
	140520	NUT, PUSH (NOT SHOWN)	2
9	210150	VALVE, FLOW CONTROL	1
10	190603	KIT, VALVE PIN & SPRING	1
11	N/A	CAP, HEX, VALVE	1
12	150403	ELBOW, 1/4-45°	1
13	150615	NIPPLE, CLOSE 1/4	1

REF	PART #	DESCRIPTION	QTY.
14	150913	COUPLER, QUICK SER. 60	1
15	160170	HOSE, SOLUTION, LP	1
16	150606	NIPPLE, HEX 1/4"	1
17	140058	WASHER	1
∇18	700062	ASM., SPRAY BAR	1
▲19	150700	CROSS	1
▲20	150600	NIPPLE	2
▲21	150401	ELBOW, 90° 1/4FX1/4F	2
▲22	200993	SPRAY BODY	3
23	200996	SCREEN, SPRAY BODY	3
24	200964	TIP	3
25	200994	CAP, SPRAY BODY	3

∇ ASSEMBLY

▲ INCLUDED IN ASSEMBLY

∇ CONJUNTO

▲ INCLUIDO EN EL CONJUNTO